

INCREASED SAFETY

EFE Series - GRP



Control stations EFE Series, made of GRP, are manufactured by using enclosure AQ../AR.. Series.

They are designed to meet the requirements for use ON and OFF-SHORE, in petrochemical and marine applications and for any other industry where an explosive atmosphere may be present.

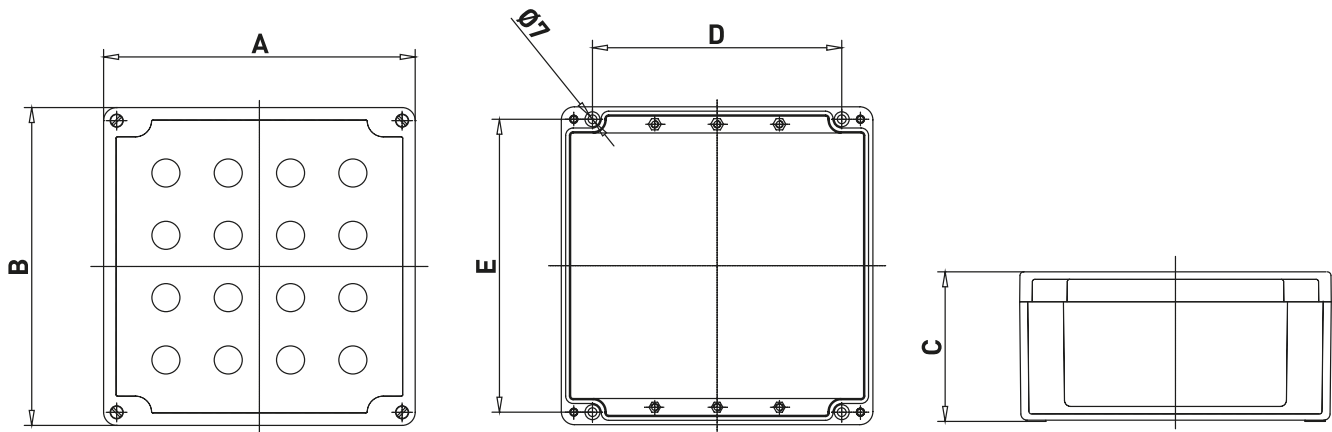
They can be equipped with following certified components:

- Standard and emergency push buttons;
- Rotating switches;
- Signalling lamps;
- Measurement instruments.

TECHNICAL FEATURES

Material	GRP (Glassfiber reinforced polyester)
IP rating	IP65/IP66
Ambient temperature range	-50°C to +95°C
Approvals	Full Conformity Certificate: FIDI 21ATEX 0090X IECEX FIDI21.0015X EAC RUC-IT.BH02.B.00593/20
Marking	II 1 G Ex ia IIC/IIB T6/T5/T4 Ga II 2 GD Ex db eb ia/ib mb* IIC/IIB T6/T5/T4 Gb and/or Ex tb IIIC T85°C/T100°C/T135°C Db *Associated equipment protection depending on the components actually mounted
Standard certificate label	Made by self adhesive UV and corrosion resistant polyester, approved by certified Laboratory.
Optional accessories	Hinges Drain/breather valve Traffolyte/Stainless steel certificate label Internal mounting plate Earth continuity plates Passing through earth bolt

Dimensions EFE



EFE Series - GRP push button stations

TYPE	DIMENSIONS [mm]					WEIGHT [kg]
	A	B	C	D	E	
EFE-080806	75	80	55	45	48	0,23
EFE-081106	80	110	60	45	98	0,29
EFE-121209	120	120	90	82	106	0,75
EFE-122209	120	220	90	82	204	1,06
EFE-161609	160	160	90	110	140	1,29
EFE-162609	160	260	90	110	240	1,71
EFE-163609	160	360	90	110	340	2,15
EFE-252612	250	260	120	200	235	2,65
EFE-252616	250	260	160	200	235	2,85
EFE-254012	250	400	120	200	380	3,65
EFE-254016	250	400	160	200	380	3,85
EFE-256012	250	600	120	200	580	5,23
EFE-414012	410	400	120	355	380	5,58
EFE-406025 - HT	400	600	250	350	580	6,15

For complete push button stations contact our Sales Dept.

Maximum number of entries on sides

TYPE	M20/1/2"		M25/3/4"		M32/1"		M40/1" 1/4		M50/1" 1/2		M63/2"	
	A	B	A	B	A	B	A	B	A	B	A	B
EFE-080806	1	1	-	1	-	-	-	-	-	-	-	-
EFE-081106	1	2	-	2	-	-	-	-	-	-	-	-
EFE-121209	2	2	1	2	1	1	1	1	-	-	-	-
EFE-122209	2	5	1	4	1	3	1	3	-	-	-	-
EFE-161609	3	3	2	3	1	2	1	1	-	-	-	-
EFE-162609	3	5	2	5	1	4	1	3	-	3	-	-
EFE-163609	3	8	2	7	1	6	1	5	-	4	-	-
EFE-252612	8	10	8	10	3	7	3	4	2	3	2	2
EFE-252616	8	10	8	10	3	7	3	4	2	3	2	2
EFE-254012	8	18	8	16	3	5	3	5	3	5	2	4
EFE-254016	8	18	8	16	3	5	3	5	3	5	2	4
EFE-256012	8	25	8	24	3	10	3	8	2	6	2	6
EFE-414012	16	18	6	14	5	6	5	5	4	5	3	6
EFE-406025 - HT	15	25	5	24	4	10	4	8	3	6	2	4